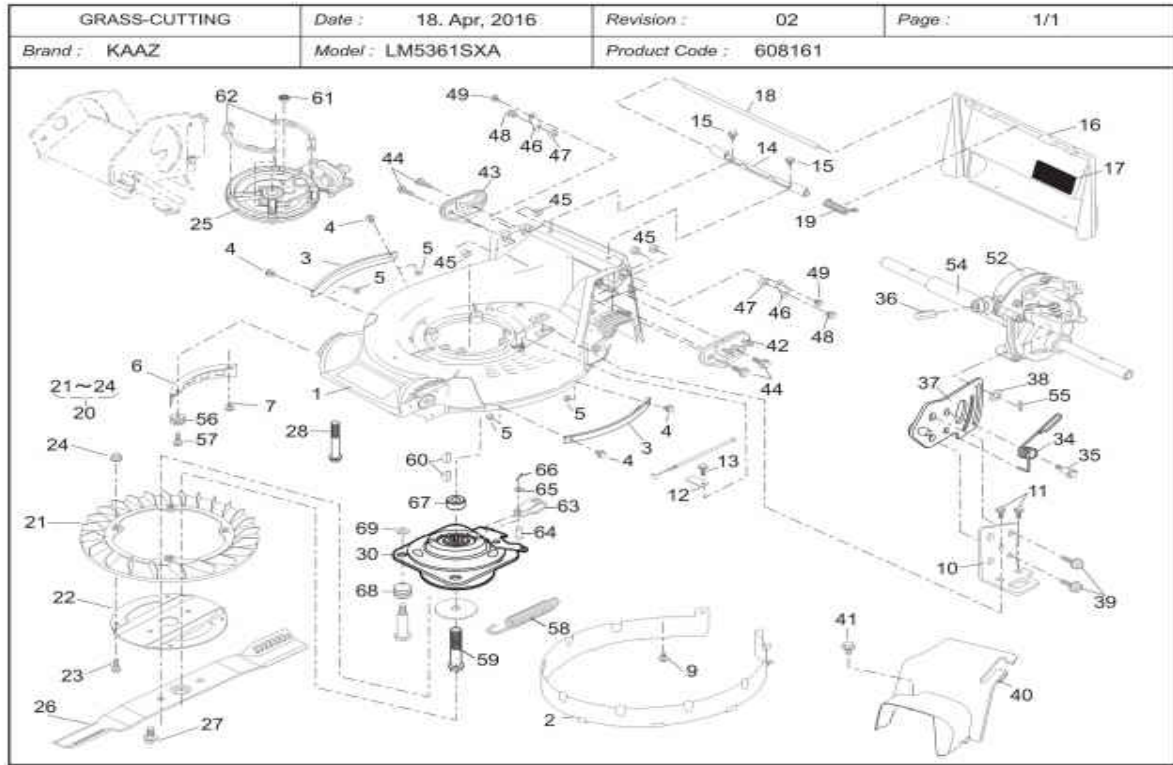


Select brand

Select model code

Indicate component part

Indicate engine model



- (A) LM5361SXA
- (B)
- (C)

(A) LM5361SXA

(B)

(C)

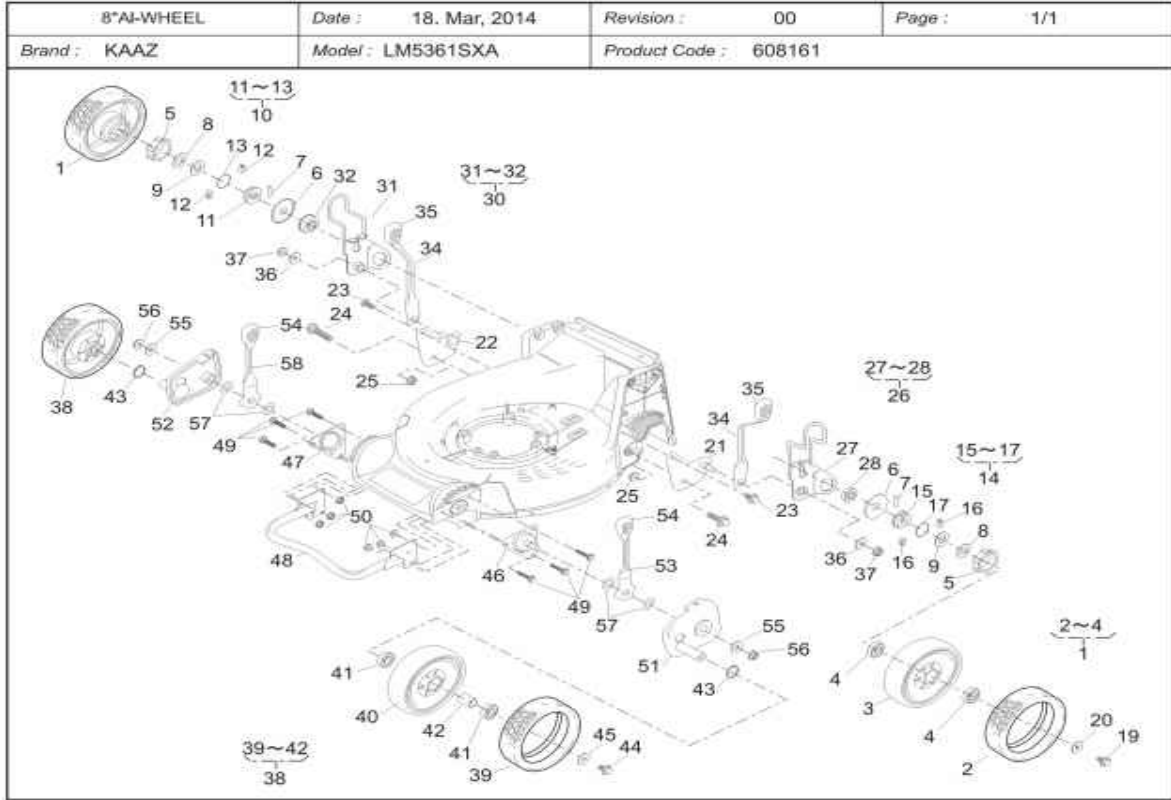
| Ref.No | Parts.No | Parts.Name | (A)Q`ty | (B)Q`ty | (C)Q`ty | Remark |
|--------|--------------|----------------------|---------|---------|---------|--------|
| 1 | 51043-151-42 | HOUSING | 1 | | | |
| 2 | 36068-204 | GUARD | 1 | | | |
| 3 | 51090-117-09 | PROTECTOR | 2 | | | |
| 4 | 335L0616 | FLANGE BOLT | 4 | | | |
| 5 | 512L0600 | HEXAGON NUT | 4 | | | |
| 6 | 36065-180 | COVER | 1 | | | |
| 7 | 342L0612 | FLANGE TAPPING BOLT | 1 | | | |
| 9 | 342L0612 | FLANGE TAPPING BOLT | 1 | | | |
| 10 | 11006-169 | STAY C.P. | 1 | | | |
| 11 | 342L0612 | FLANGE TAPPING BOLT | 2 | | | |
| 12 | 11113-407 | STAY | 1 | | | |
| 13 | 342L0612 | FLANGE TAPPING BOLT | 1 | | | |
| 14 | 11113-292 | STAY | 1 | | | |
| 15 | 342L0612 | FLANGE TAPPING BOLT | 2 | | | |
| 16 | 36068-196-46 | GUARD | 1 | | | |
| 17 | 36080-149 | RUBBER SHEET | 1 | | | |
| 18 | 64014-324 | SHAFT | 1 | | | |
| 19 | 68013-336 | SPRING | 1 | | | |
| 20 | 71082-111 | FAN ASS Y | 1 | | | |
| 21 | 51125-103 | FAN | 1 | | | |
| 22 | 11102-151 | HOLDER | 1 | | | |
| 23 | 31062-169 | PRE-COAT LOCK BOLT | 4 | | | |
| 24 | 579L0600 | FLANGE NUT | 4 | | | |
| 25 | 71008-425 | GEAR CASE ASS Y | 1 | | | |
| 26 | 91014-188 | BLADE | 1 | | | |
| 27 | 335M1020 | FLANGE BOLT | 2 | | | |
| 28 | 31057-338 | BOLT | 4 | | | |
| 30 | 71067-119 | BRAKE ASS Y | 1 | | | |
| 34 | 68013-411 | SPRING | 1 | | | |
| 35 | 31057-270 | BOLT | 1 | | | |
| 36 | 64014-368 | SHAFT | 1 | | | |
| 37 | 91049-140 | CONNECTOR | 1 | | | |
| 38 | 68036-280 | WASHER (10.5x18x1.6) | 1 | | | |
| 39 | 423U0616 | SOCKET SCREW FLANGE | 2 | | | |
| 40 | 36065-480 | COVER | 1 | | | |
| 41 | 335L0620 | FLANGE BOLT | 1 | | | |
| 42 | 51116-149 | HANDLE BRACKET | 1 | | | |
| 43 | 51116-150 | HANDLE BRACKET | 1 | | | |
| 44 | 31057-255 | BOLT (M8x25) | 4 | | | |
| 45 | 512L0800 | HEXAGON NUT | 4 | | | |
| 46 | 11113-408 | STAY | 2 | | | |
| 47 | 512L0800 | HEXAGON NUT | 2 | | | |
| 48 | 31057-181 | BOLT | 2 | | | |
| 49 | 342L0612 | FLANGE TAPPING BOLT | 2 | | | |
| 52 | 71008-275 | GEAR CASE ASS Y | 1 | | | |
| 54 | 11083-387 | COLLAR | 1 | | | |
| 55 | 733L1000 | SNAP PIN | 1 | | | |
| 56 | 11083-270 | COLLAR | 1 | | | |
| 57 | 342L0620 | FLANGE TAPPING BOLT | 1 | | | |
| 58 | 68013-355 | SPRING | 1 | | | |
| 59 | 31057-334 | BOLT | 1 | | | |
| 60 | 91020-161 | KEY | 2 | | | |
| 61 | 61014-124 | SHAFT COLLAR | 1 | | | |
| 62 | 61024-209 | SPACER | 2 | | | |
| 63 | 68055-151 | JOINT | 1 | | | |
| 64 | 31056-125 | GIB-HEADED PIN | 1 | | | |
| 65 | 68036-137 | WASHER (6.5x10x0.8) | 1 | | | |
| 66 | 726L0216 | SPLIT PIN | 1 | | | |
| 67 | 61024-246 | SPACER | 1 | | | |
| 68 | 68013-320 | SPRING | 1 | | | |
| 69 | 611L0800 | PLAIN WASHER | 1 | | | |

Select brand

Select model code

Indicate component part

Indicate engine model



(A) LM5361SXA
(B)

(C)

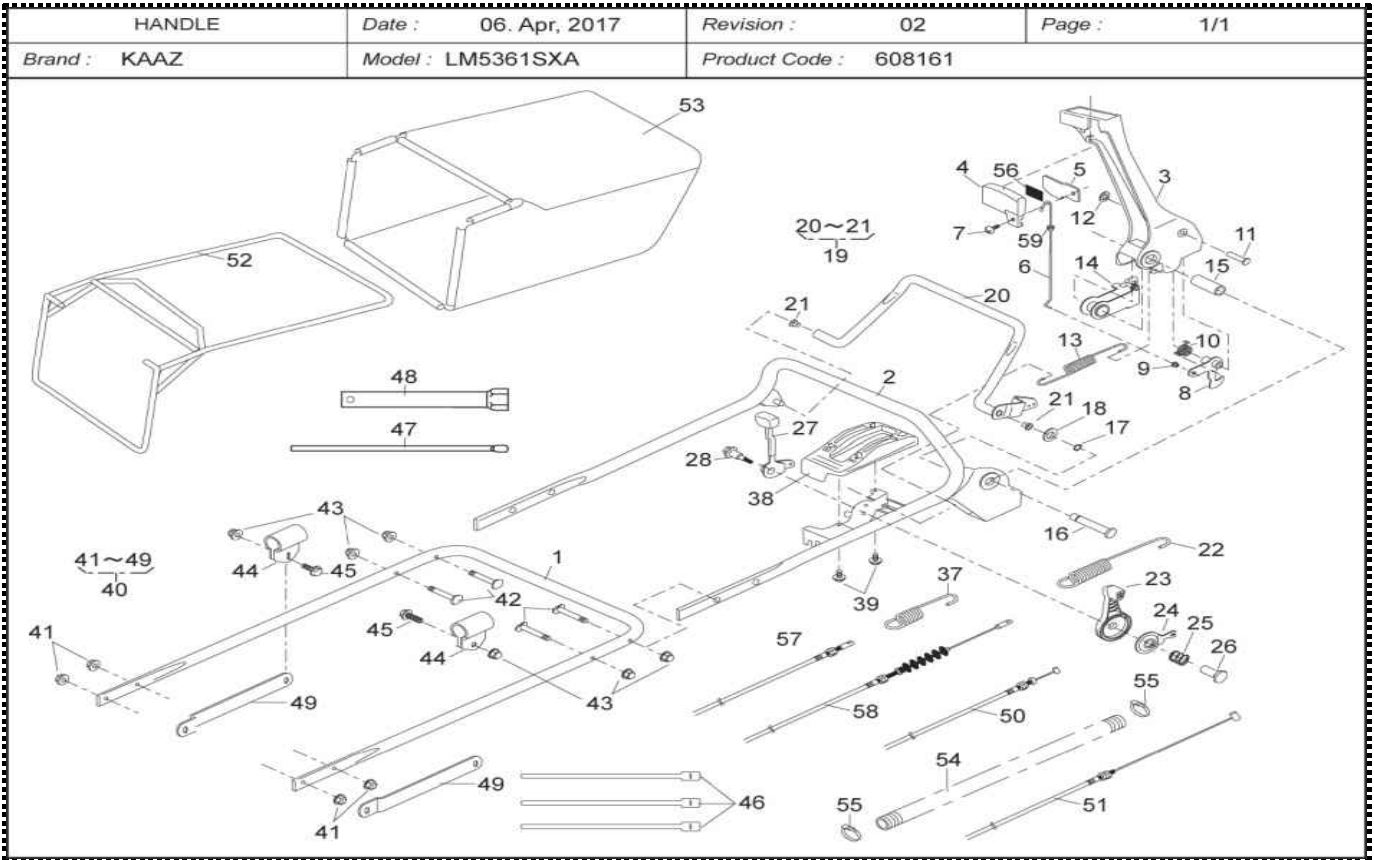
| Ref.No | Parts.No | Parts.Name | (A)Q`ty | (B)Q`ty | (C)Q`ty | Remark |
|--------|--------------|----------------------|---------|---------|---------|--------|
| 1 | 71041-136 | WHEEL ASS Y | 2 | | | |
| 2 | 91086-113 | TIRE | 2 | | | |
| 4 | 916B6002 | BEARING (6002DDC3) | 4 | | | |
| 5 | 11086-119 | STOPPER | 2 | | | |
| 6 | 61003-112 | THRUST PLATE | 2 | | | |
| 7 | 31034-137 | PIN | 2 | | | |
| 8 | 68036-270 | WASHER (15.2x26x1.6) | 2 | | | |
| 9 | 68036-146 | WASHER (16x31.5x1.0) | 2 | | | |
| 10 | 71158-104 | RATCHET ASS Y | 1 | | | |
| 11 | 11102-235 | HOLDER | 1 | | | |
| 12 | 31034-170 | PIN | 2 | | | |
| 13 | 68013-266 | SPRING | 1 | | | |
| 14 | 71158-103 | RATCHET ASS Y | 1 | | | |
| 15 | 11102-235 | HOLDER | 1 | | | |
| 16 | 31034-170 | PIN | 2 | | | |
| 17 | 68013-266 | SPRING | 1 | | | |
| 19 | 31057-181 | BOLT | 2 | | | |
| 20 | 68036-101 | WASHER (9x25x2.3) | 2 | | | |
| 21 | 11006-151 | STAY C.P. | 1 | | | |
| 22 | 11006-152 | STAY C.P. | 1 | | | |
| 23 | 342L0612 | FLANGE TAPPING BOLT | 2 | | | |
| 24 | 31057-255 | BOLT (M8x25) | 2 | | | |
| 25 | 584L0800 | U-FLANGE NUT | 2 | | | |
| 26 | 71122-112 | ADJUSTER ASS Y | 1 | | | |
| 27 | 11142-131 | ADJUSTER | 1 | | | |
| 28 | 945L0349 | BEARING (F-PC0349L) | 1 | | | |
| 30 | 71122-113 | ADJUSTER ASS Y | 1 | | | |
| 31 | 11142-132 | ADJUSTER | 1 | | | |
| 32 | 945L0349 | BEARING (F-PC0349L) | 1 | | | |
| 34 | 11150-105-09 | ADJUST LEVER | 2 | | | |
| 35 | 36061-121 | KNOB | 2 | | | |
| 36 | 613L0800 | PLAIN WASHER | 2 | | | |
| 37 | 569L0800 | FLANGE NYLON NUT | 2 | | | |
| 38 | 71041-135 | WHEEL ASS Y | 2 | | | |
| 39 | 91086-113 | TIRE | 2 | | | |
| 41 | 916B6002 | BEARING (6002DDC3) | 4 | | | |
| 42 | 11083-332 | COLLAR | 2 | | | |
| 43 | 51113-119 | RING | 2 | | | |
| 44 | 31057-181 | BOLT | 2 | | | |
| 45 | 68036-101 | WASHER (9x25x2.3) | 2 | | | |
| 46 | 11006-153 | STAY C.P | 1 | | | |
| 47 | 11006-154 | STAY C.P. | 1 | | | |
| 48 | 11153-112 | BUMPER | 1 | | | |
| 49 | 335L0625 | FLANGE BOLT | 6 | | | |
| 50 | 569L0600 | FLANGE NYLON NUT | 6 | | | |
| 51 | 11142-129 | ADJUSTER | 1 | | | |
| 52 | 11142-130 | ADJUSTER | 1 | | | |
| 53 | 11150-109-09 | ADJUST LEVER | 1 | | | |
| 54 | 36061-121 | KNOB | 2 | | | |
| 55 | 68036-101 | WASHER (9x25x2.3) | 2 | | | |
| 56 | 31058-176 | HEXAGON NUT | 2 | | | |
| 57 | 68013-393 | SPRING | 4 | | | |
| 58 | 11150-114-09 | ADJUST LEVER | 1 | | | |

Select brand Lawn Mower

Select model code

Indicate component part

Indicate engine model



- (A) LM5361SXA
- (B)
- (C)

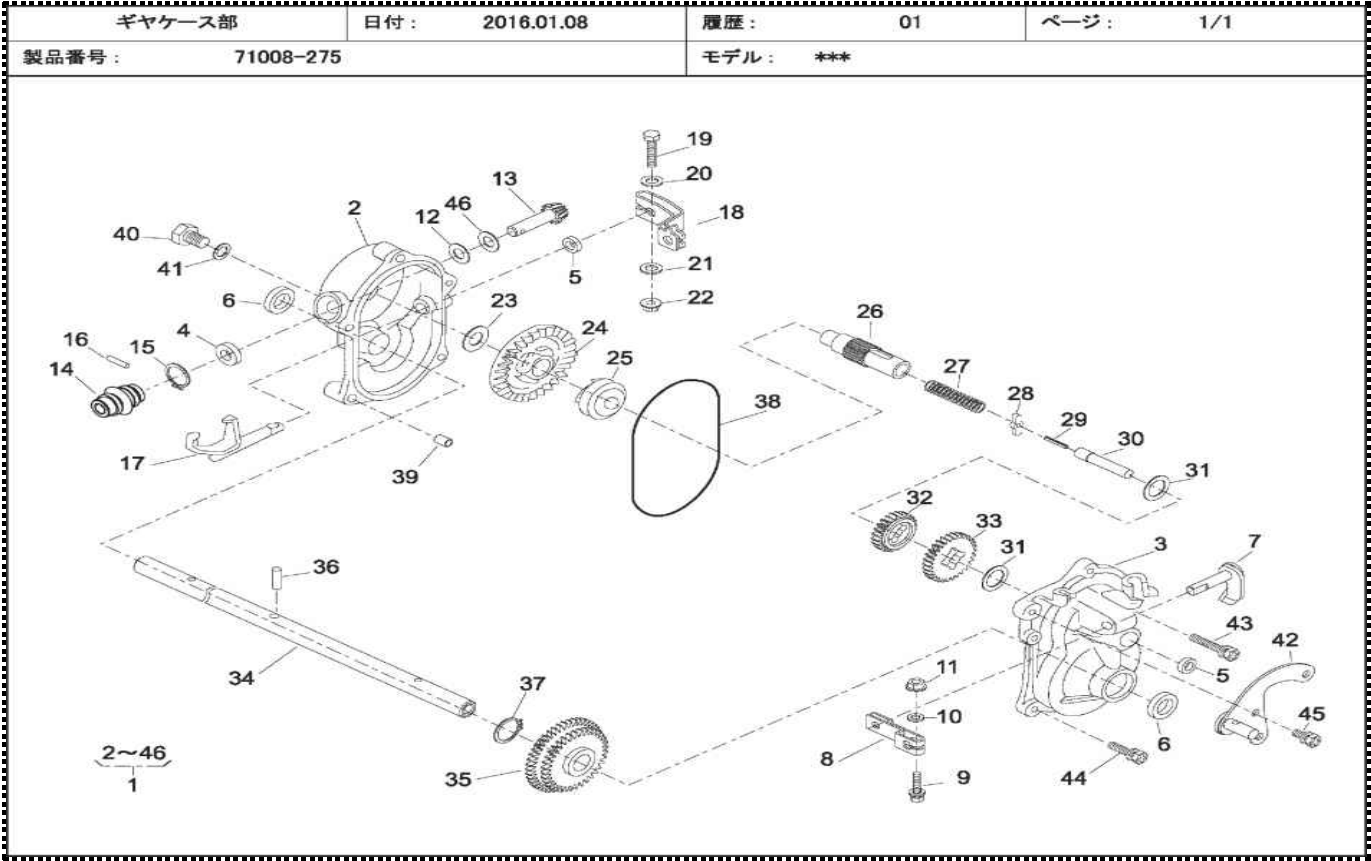
| Ref.No | Parts.No | Parts.Name | (A)Q`ty | (B)Q`ty | (C)Q`ty | Remark |
|--------|---------------|----------------------|---------|---------|---------|--------|
| 1 | 51027-268-103 | HANDLE | 1 | | | |
| 2 | 51027-269-103 | HANDLE | 1 | | | |
| 3 | 11095-172 | LEVER | 1 | | | |
| 4 | 36110-102 | BUTTON | 1 | | | |
| 5 | 11049-109 | SLIDE PLATE | 1 | | | |
| 6 | 64014-336 | SHAFT | 1 | | | |
| 7 | 376L0612 | (+)TRUSS SCREW | 1 | | | |
| 8 | 71203-135 | ARM C.P | 1 | | | |
| 9 | 76007-183 | BUSH | 1 | | | |
| 10 | 68013-371 | SPRING | 1 | | | |
| 11 | 31056-127 | GIB-HEADED PIN | 1 | | | |
| 12 | 576V0600 | PUSH NUT | 1 | | | |
| 13 | 68013-392 | SPRING | 1 | | | |
| 14 | 11109-111 | LINK | 1 | | | |
| 15 | 61023-190 | SLEEVE | 1 | | | |
| 16 | 64014-337 | SHAFT | 1 | | | |
| 17 | 812V0800 | C-SNAP RING | 1 | | | |
| 18 | 613L0800 | PLAIN WASHER | 1 | | | |
| 19 | 71161-114-09 | LEVER ASS Y | 1 | | | |
| 21 | 76007-131 | BUSH | 2 | | | |
| 22 | 68013-391 | SPRING | 1 | | | |
| 23 | 91010-200 | THROTTLE LEVER | 1 | | | |
| 24 | 61003-113 | THRUST PLATE | 1 | | | |
| 25 | 68013-356 | SPRING | 1 | | | |
| 26 | 31058-168 | HEXAGON NUT | 1 | | | |
| 27 | 11095-117 | LEVER | 1 | | | |
| 28 | 31062-109 | PRE-COAT LOCK BOLT | 1 | | | |
| 37 | 68013-161 | SPRING | 1 | | | |
| 38 | 71906-813 | COVER ASS Y | 1 | | | |
| 39 | 470L0514 | (+)TAPPING SCREW | 2 | | | |
| 40 | 71906-525 | | 1 | | | |
| 41 | 569L0800 | FLANGE NYLON NUT | 4 | | | |
| 42 | 31057-256 | BOLT | 4 | | | |
| 43 | 583L0800 | FLANGE CAP NUT | 6 | | | |
| 44 | 11012-132 | HANGER BAND | 2 | | | |
| 45 | 31057-181 | BOLT | 2 | | | |
| 46 | 68028-118 | WIRE BAND (GT280) | 3 | | | |
| 47 | 66008-103 | PLUG BOX BAR (8x200) | 1 | | | |
| 48 | 66006-125 | BOX SPANNER | 1 | | | |
| 49 | 71900-846 | BAR SET | 1 | | | |
| 50 | 91001-392 | THROTTLE WIRE | 1 | | | |
| 51 | 91003-168 | CONTROL CABLE(BBC) | 1 | | | |
| 52 | 11062-178 | FRAME C.P. | 1 | | | |
| 53 | 36098-132 | GRASS BAG C.P. | 1 | | | |
| 54 | 41003-201 | TUBE (15.6x800L) | 1 | | | |
| 55 | 68028-119 | WIRE BAND (SHT18R-W) | 2 | | | |
| 56 | 36080-156 | RUBBER SHEET | 1 | | | |
| 57 | 91003-125 | CONTROL CABLE(SPEED) | 1 | | | |
| 58 | 91003-189 | CONTROL CABLE(DRIVE) | 1 | | | |
| 59 | 76007-183 | BUSH | 1 | | | |

Select brand: Product range:

Select model code:

Indicate component part:

Indicate engine model:



(A)
(B)

(C)

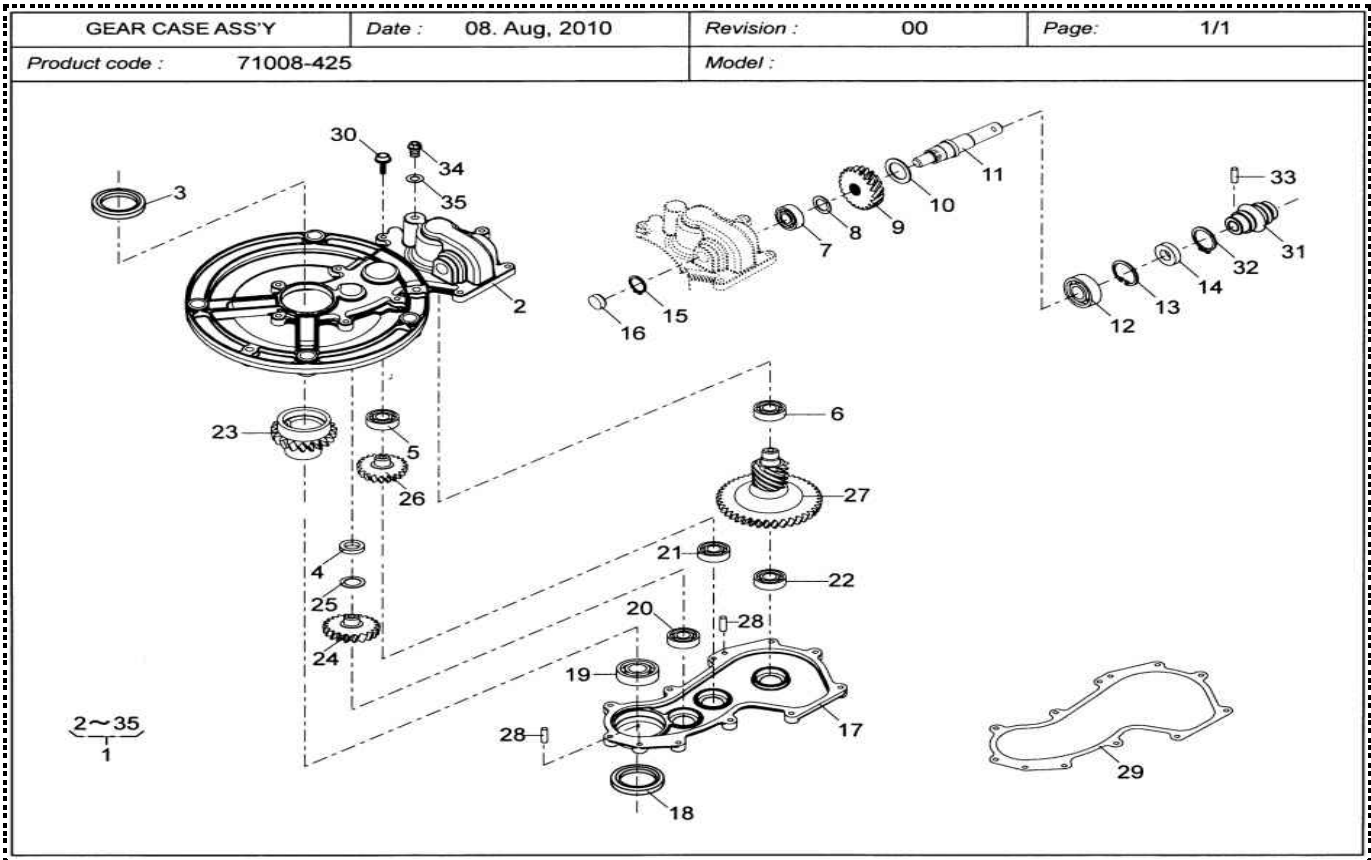
| Ref.No | Parts.No | Parts.Name | (A)Q`ty | (B)Q`ty | (C)Q`ty | Remark |
|--------|-----------|--------------------|---------|---------|---------|--------|
| 1 | 71008-275 | GEAR CASE ASS Y | 1 | | | |
| 2 | 51001-195 | GEAR CASE | 1 | | | |
| 3 | 51001-196 | GEAR CASE | 1 | | | |
| 4 | 61002-161 | OIL SEAL (SD10205) | 1 | | | |
| 5 | 61002-162 | OIL SEAL (SD08144) | 2 | | | |
| 6 | 61002-163 | OIL SEAL (SD15245) | 2 | | | |
| 7 | 64024-104 | SHIFTER SHAFT | 1 | | | |
| 8 | 11104-119 | ARM | 1 | | | |
| 9 | 320L0525 | (+)HEX. BOLT(W/PW) | 1 | | | |
| 10 | 611L0500 | PLAIN WASHER | 1 | | | |
| 11 | 571L0500 | FLANGE NUT | 1 | | | |
| 12 | 61003-109 | THRUST PLATE | 1 | | | |
| 13 | 78003-130 | PINION | 1 | | | |
| 14 | 91097-101 | UNIVERSAL JOINT | 1 | | | |
| 15 | 812V2000 | C-SNAP RING | 1 | | | |
| 16 | 717B0418 | PARALLEL PIN | 1 | | | |
| 17 | 11097-106 | SHIFTER FORK | 1 | | | |
| 18 | 11104-137 | ARM | 1 | | | |
| 19 | 311M0630 | HEX. BOLT | 1 | | | |
| 20 | 611L0600 | PLAIN WASHER | 1 | | | |
| 21 | 613L0600 | PLAIN WASHER | 1 | | | |
| 22 | 571L0600 | FLANGE NUT | 1 | | | |
| 23 | 61024-117 | SPACER | 1 | | | |
| 24 | 78001-162 | BEVEL GEAR | 1 | | | |
| 25 | 11129-107 | CLUTCH | 1 | | | |
| 26 | 64014-236 | SHAFT | 1 | | | |
| 27 | 68013-262 | SPRING | 1 | | | |
| 28 | 31034-171 | PIN | 1 | | | |
| 29 | 736U0320 | SPRING PIN | 1 | | | |
| 30 | 64014-235 | SHAFT | 1 | | | |
| 31 | 61024-118 | SPACER | 2 | | | |
| 32 | 78004-156 | GEAR | 1 | | | |
| 33 | 78004-155 | GEAR | 1 | | | |
| 34 | 64014-163 | SHAFT | 1 | | | |
| 35 | 78012-107 | GEAR C.P. | 1 | | | |
| 36 | 31034-150 | PIN | 1 | | | |
| 37 | 812V2200 | C-SNAP RING | 1 | | | |
| 38 | 214B11000 | O-RING S110 | 1 | | | |
| 39 | 11083-201 | COLLAR | 2 | | | |
| 40 | 31057-262 | BOLT | 1 | | | |
| 41 | 68001-110 | FIBER WASHER | 1 | | | |
| 42 | 11006-165 | STAY C.P. | 1 | | | |
| 43 | 315L0625 | HEX. BOLT(W/SW.PW) | 3 | | | |
| 44 | 315L0635 | HEX. BOLT(W/SW.PW) | 2 | | | |
| 45 | 318L0612 | (+)HEX. BOLT(W/SW) | 1 | | | |
| 46 | 68007-132 | SHIM (10.5x18x0.3) | 0~2 | | | |

Select brand: Product range:

Select model code:

Indicate component part:

Indicate engine model:



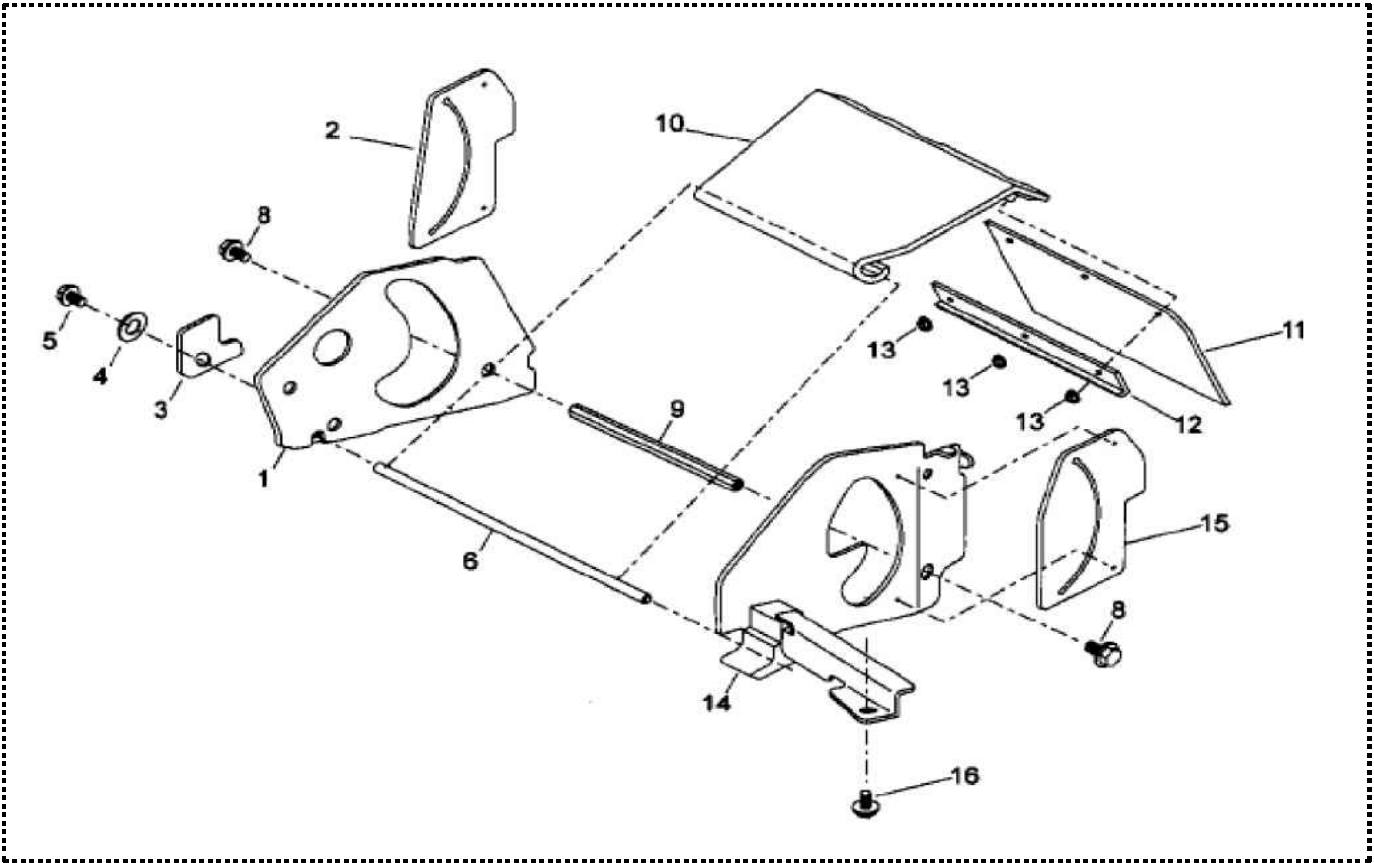
| Ref.No | Parts.No | Parts.Name | (A)Q'ty | (B)Q'ty | (C)Q'ty | Remark |
|--------|-----------|---------------------|---------|---------|---------|--------|
| 1 | 71008-425 | GEAR CASE ASS Y | 1 | | | |
| 2 | 51001-321 | GEAR CASE | 1 | | | |
| 3 | 61002-206 | OIL SEAL | 1 | | | |
| 4 | 76007-209 | BUSH | 1 | | | |
| 5 | 913B6001 | BEARING (6001) | 1 | | | |
| 6 | 913B6001 | BEARING (6001) | 1 | | | |
| 7 | 913B6000 | BEARING (6000) | 1 | | | |
| 8 | 61024-223 | SPACER | 1 | | | |
| 9 | 78004-321 | GEAR | 1 | | | |
| 10 | 61024-224 | SPACER | 1 | | | |
| 11 | 64001-198 | SPLINE SHAFT | 1 | | | |
| 12 | 913B6001 | BEARING (6001) | 1 | | | |
| 13 | 811V2800 | C-SNAP RING | 1 | | | |
| 14 | 61002-204 | OIL SEAL | 1 | | | |
| 15 | 812V1000 | C-SNAP RING | 1 | | | |
| 16 | 91033-108 | BLIND COVER | 1 | | | |
| 17 | 51001-322 | GEAR CASE | 1 | | | |
| 18 | 61002-205 | OIL SEAL | 1 | | | |
| 19 | 913B6906 | BEARING (6906) | 1 | | | |
| 20 | 913B6001 | BEARING (6001) | 1 | | | |
| 21 | 913B6001 | BEARING (6001) | 1 | | | |
| 22 | 913B6001 | BEARING (6001) | 1 | | | |
| 23 | 78004-328 | GEAR | 1 | | | |
| 24 | 78004-319 | GEAR | 1 | | | |
| 25 | 68036-291 | WASHER | 1 | | | |
| 26 | 78004-320 | GEAR | 1 | | | |
| 27 | 78012-164 | GEAR C.P. | 1 | | | |
| 28 | 713B0616 | PARALLEL PIN | 2 | | | |
| 29 | 61019-238 | PACKING | 1 | | | |
| 30 | 423U0620 | SOCKET SCREW FLANGE | 10 | | | |
| 31 | 91097-101 | UNIVERSAL JOINT | 1 | | | |
| 32 | 812V2000 | C-SNAP RING | 1 | | | |
| 33 | 717B0418 | PARALLEL PIN | 1 | | | |
| 34 | 31057-262 | BOLT | 1 | | | |
| 35 | 214B0800 | O-RING (S8) | 1 | | | |

Select brand Product range

Select model code

Indicate component part

Indicate engine model



(A) For Housing (51043-151.-154.-159)

(B)

(C)

| Ref.No | Parts.No | Parts.Name | (A)Q'ty | (B)Q'ty | (C)Q'ty | Remark |
|--------|-----------|---------------------|---------|---------|---------|--------|
| 1 | 11006-166 | STAY C.P. | 1 | | | |
| 2 | 36080-154 | RUBBER SHEET | 1 | | | |
| 3 | 11113-420 | STAY | 1 | | | |
| 4 | 613L0800 | PLAIN WASHER | 1 | | | |
| 5 | 423U0812 | SOCKET SCREW FLANGE | 1 | | | |
| 6 | 64014-373 | SHAFT | 1 | | | |
| 8 | 31057-181 | BOLT | 2 | | | |
| 9 | 64014-374 | SHAFT | 1 | | | |
| 10 | 51079-124 | COVER C.P. | 1 | | | |
| 11 | 36080-153 | RUBBER SHEET | 1 | | | |
| 12 | 11050-182 | FIXING PLATE | 1 | | | |
| 13 | 569L0400 | FLANGE NYLON NUT | 3 | | | |
| 14 | 11006-167 | STAY C.P. | 1 | | | |
| 15 | 36080-155 | RUBBER SHEET | 1 | | | |
| 16 | 342L0612 | FLANGE TAPPING BOLT | 1 | | | |